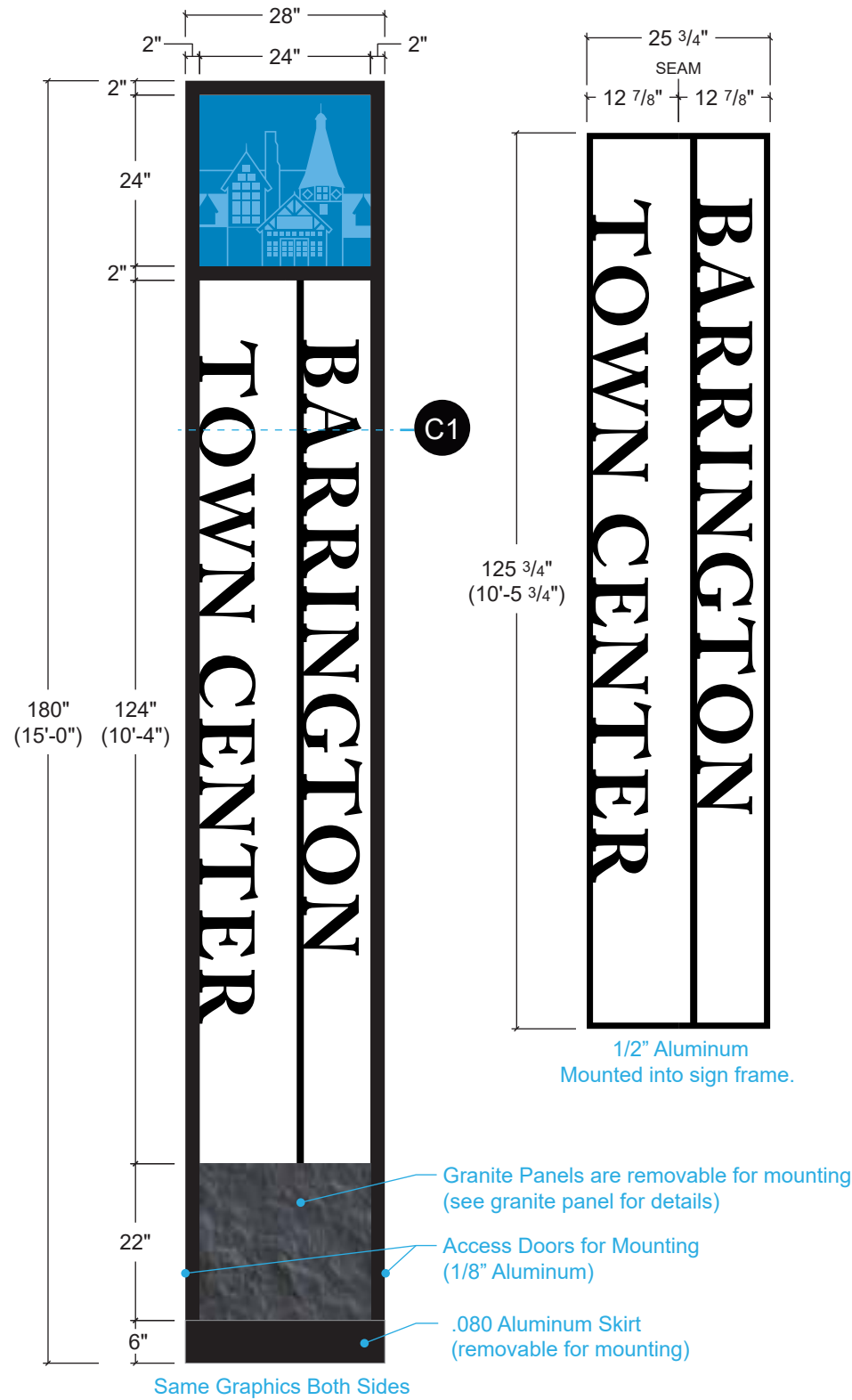
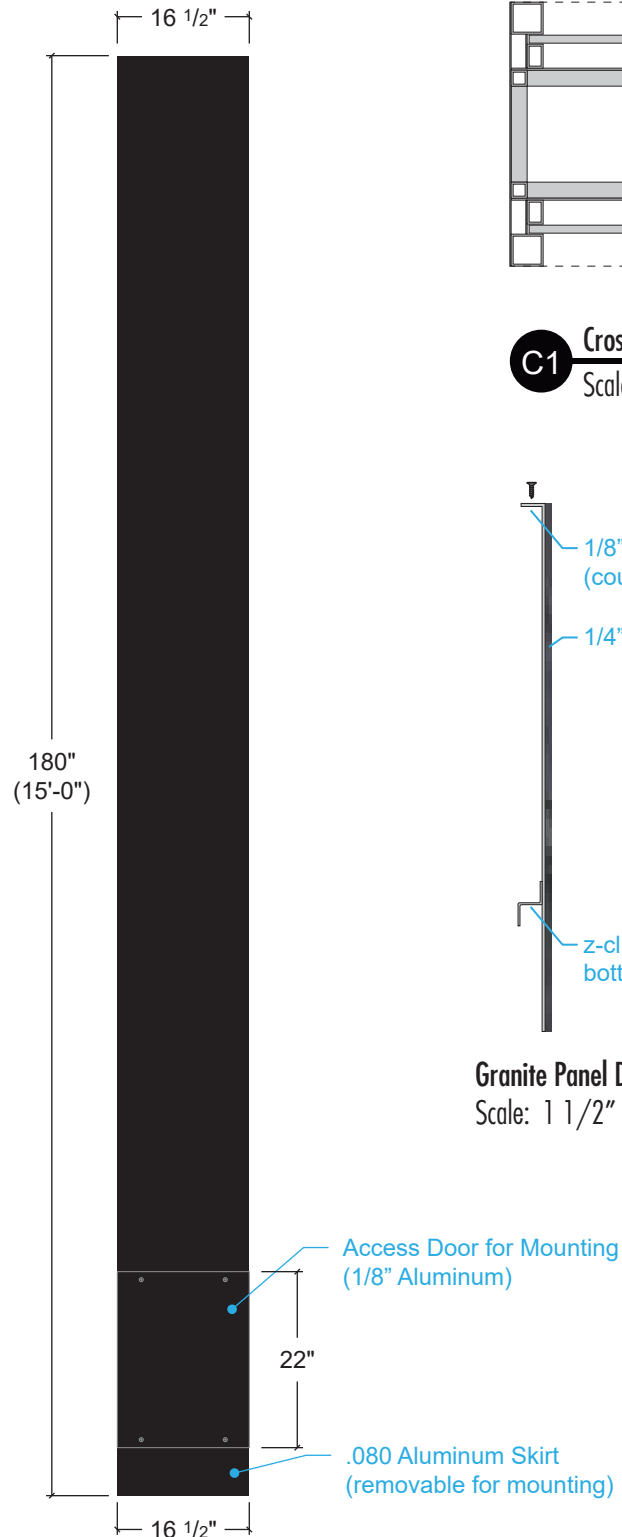


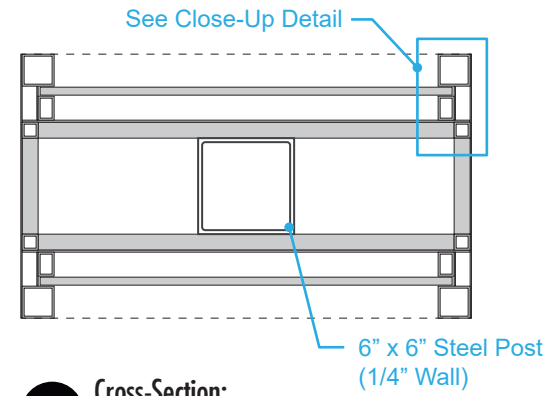
A1.1 Landmark Sign (Double-Sided)



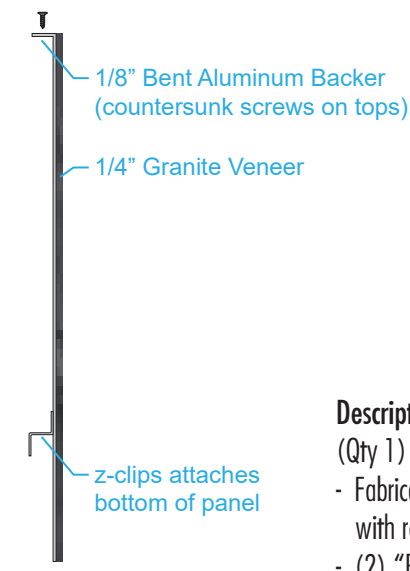
E1 Elevation: #11764.1 (Qty 1) Landmark Sign
Scale: 1/2" = 1'



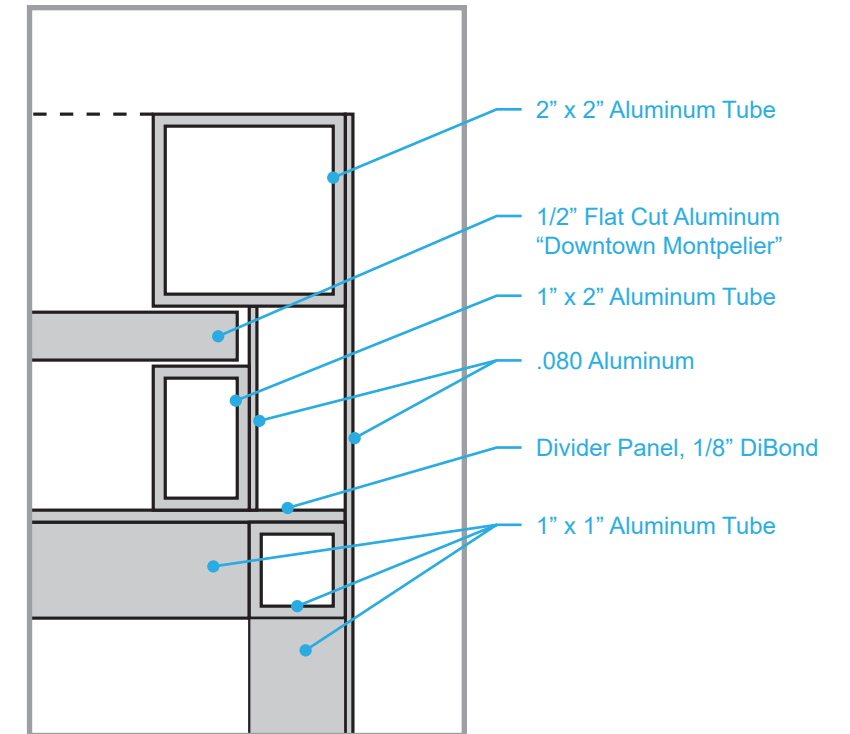
S Side View:
Scale: 1/2" = 1'



C1 Cross-Section:
Scale: 1" = 1'



Granite Panel Detail:
Scale: 1 1/2" = 1'



Close-Up Detail:
Scale: 6" = 1'

Description:
(Qty 1) Landmark ID Sign, double-sided
- Fabricated aluminum tube inner framing with returns covered with aluminum.
- (2) "Barrington Town Center" letter panels are flat cut 1/2" aluminum.
- (2) Divider panels are 1/8" aluminum.
- (2) Top header panels are 1/8" aluminum with UV textured powder coat finish, embedded graphics.
- (2) Grey granite veneer inset into bottom of frame.
- Bottom skirt is .080 aluminum. (removable for mounting)
- Steel 6" square post with 10" x 24" steel mounting plate.
- Concrete footing with anchorbolt cage. (see footing detail drawing)
- Breakaway couplings connect sign to footing. (see footing detail drawing)

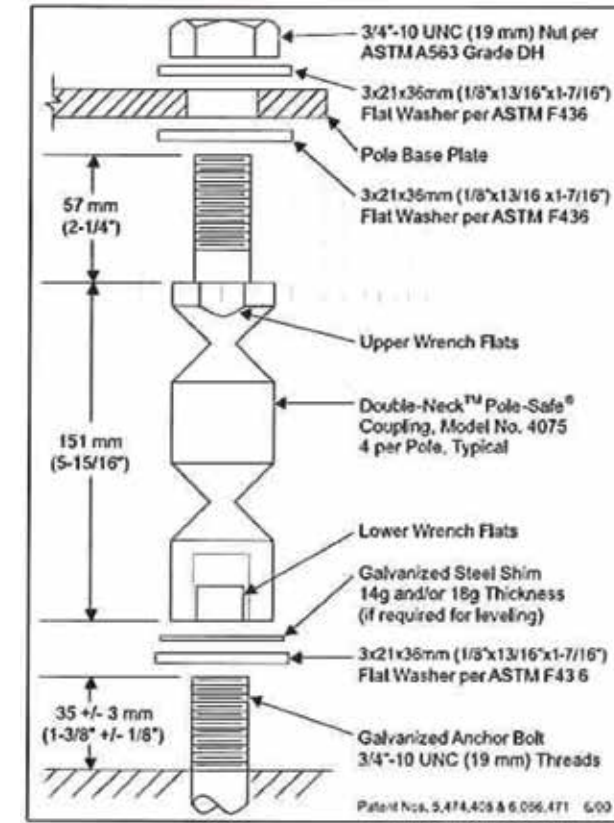
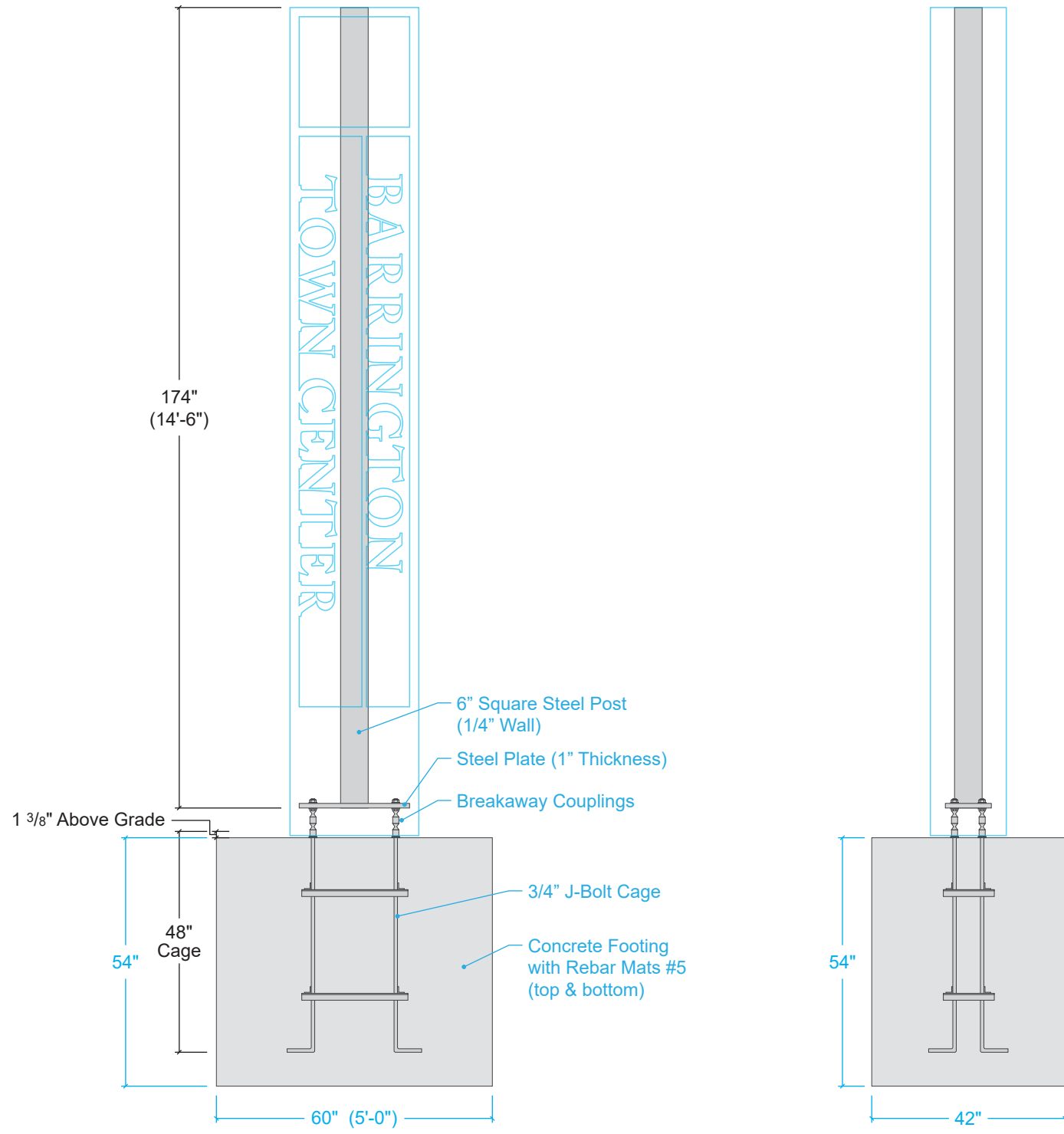
Artwork:
Supplied by Customer

Colors:
Sign Body - painted Black
"Barrington Town Center" - painted Black
Divider Panel - painted White
Top Header Panel - Alto UV textured powder coat finish with embedded graphics. (Blue PMS Process Blue C, Light Blue PMS 2915 C)
Clear Coat Entire Sign - SW 2k waterbased urethane anti graffiti coating satin series with satin hardener. (TBD)
Granite Veneer - Grey Granite

Installation:
By Viewpoint.

Front View

Side View



Breakaway Coupling Detail:

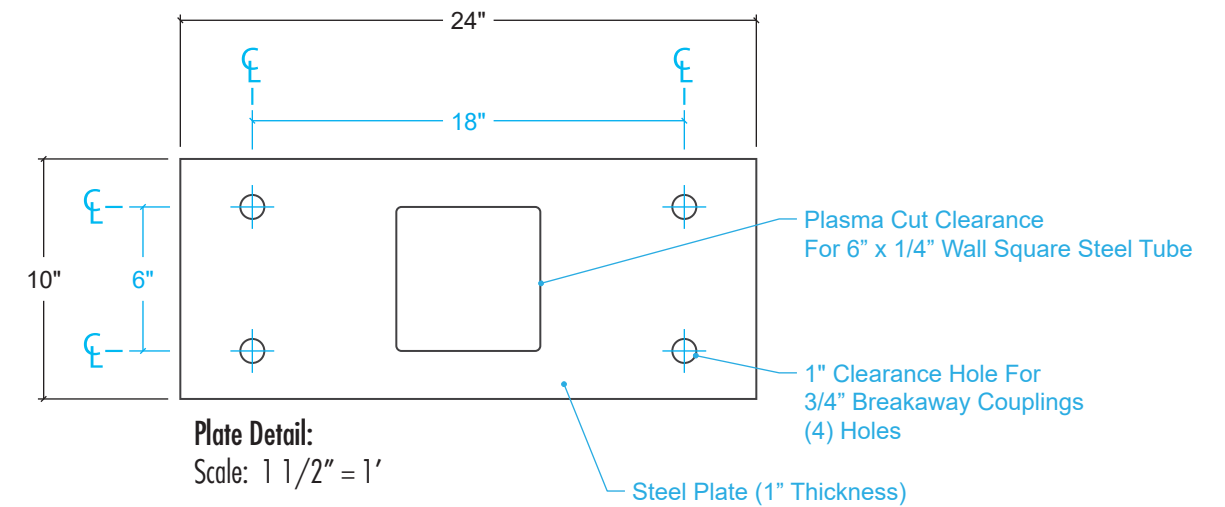


Plate Detail:
Scale: 1 1/2" = 1'

FD Footing Detail: #11764.1 (Qty 1) Landmark Sign
Scale: 3/8" = 1'

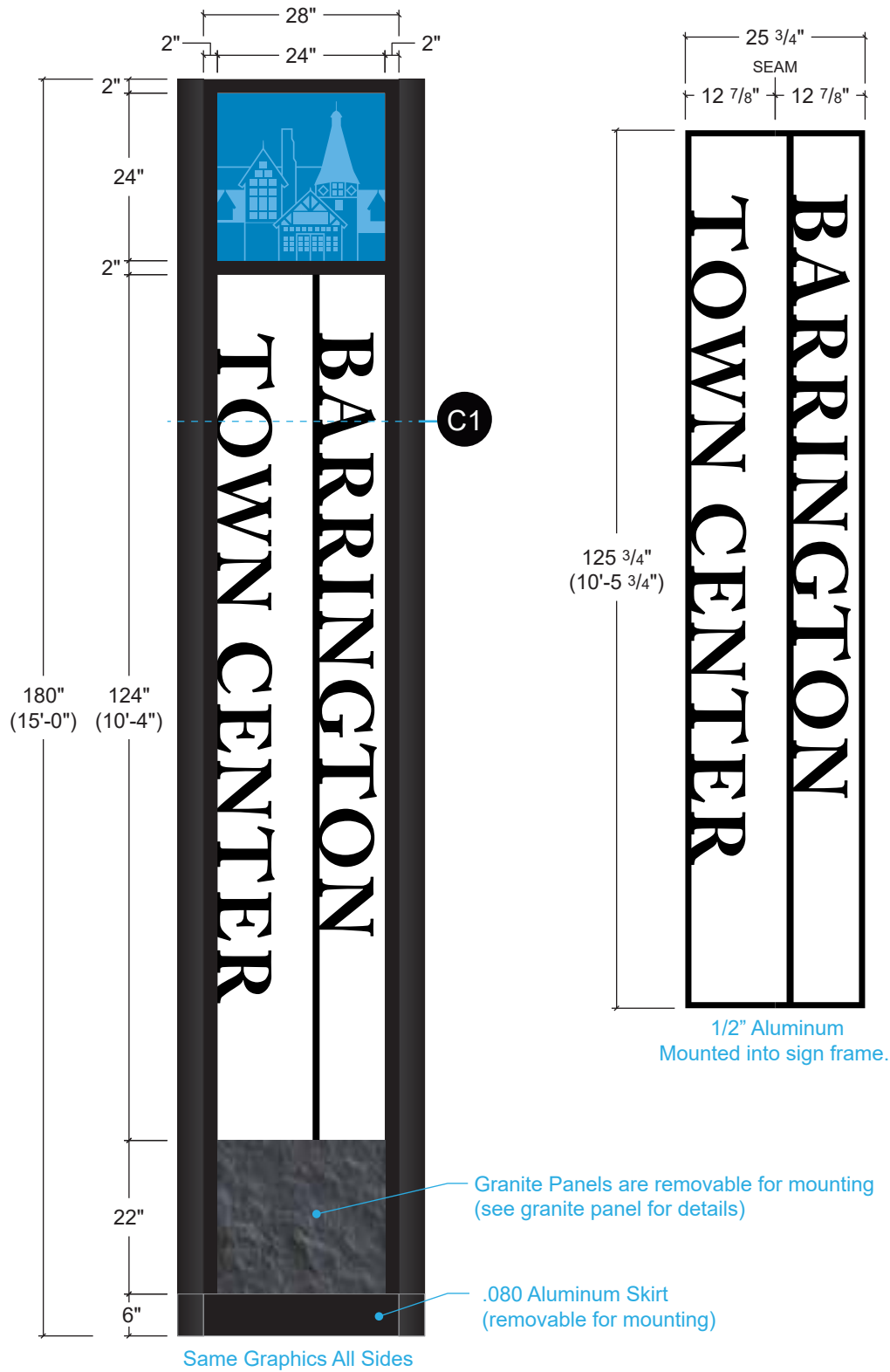
Job: Town Of Barrington, RI
Account Manager: Scott Spaulding
Location: Barrington, RI
Date: 02.26.21 1.0
Designer: Mathew Hoard
Revisions: 03.05.21 .25
08.23.22 .25

THIS PROPOSAL DRAWING CONTAINS ORIGINAL ELEMENTS
CREATED BY VIEWPOINT SIGN AND AWNING. ALL RIGHTS RESERVED.
UNAUTHORIZED DUPLICATION OR REPRODUCTION IS PROHIBITED.

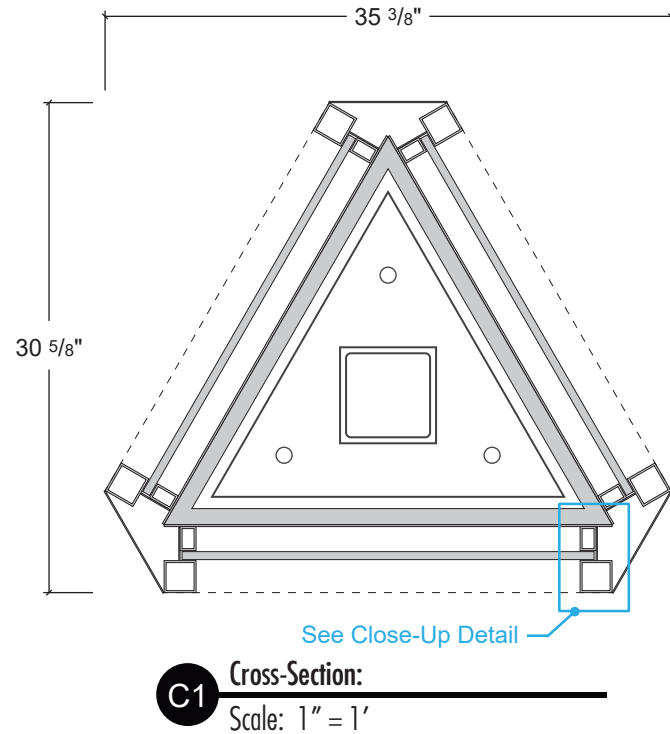
ViewPoint SIGN AND AWNING
1.508.393.8200
FAX 1.508.393.4244

Customer Approval _____ Acct. Manager Approval _____ Production Approval _____

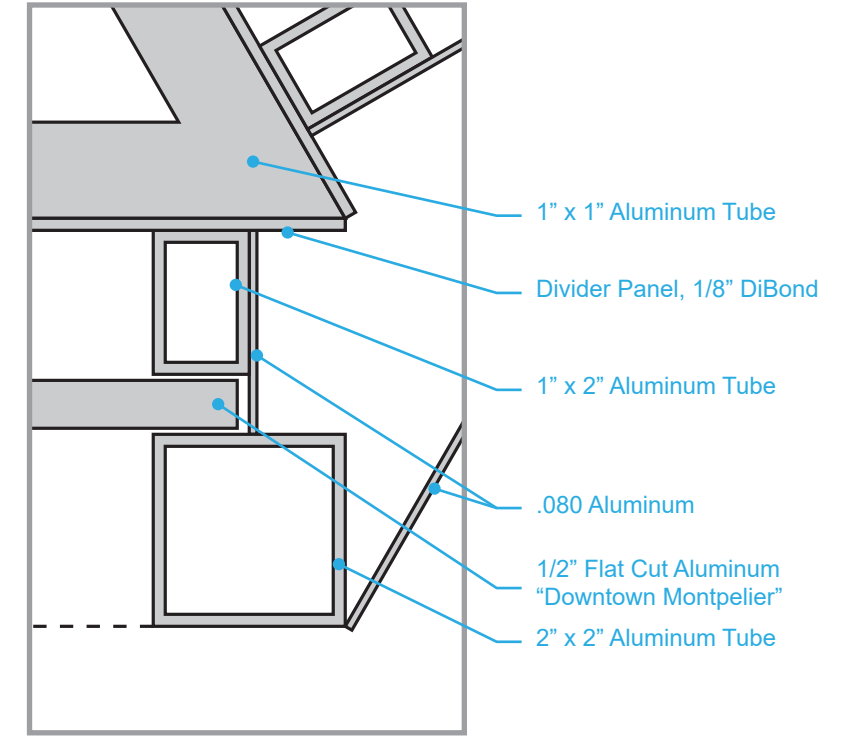
A1.2 Landmark Sign (3-Sided)



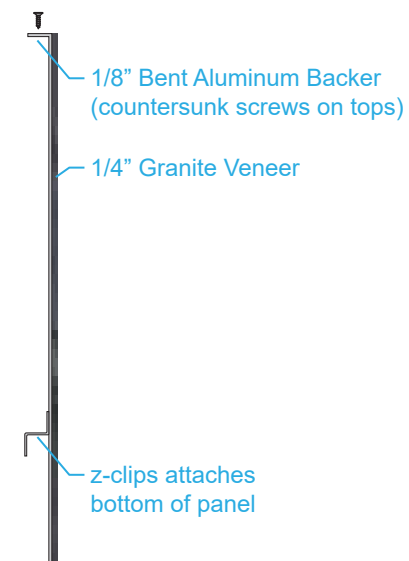
E1 Elevation: #11764.1 (Qty 1) Landmark Sign
Scale: 1/2" = 1'



C1 Cross-Section:
Scale: 1" = 1'



Close-Up Detail:
Scale: 6" = 1'



Granite Panel Detail:
Scale: 1 1/2" = 1'

Description:

- (Qty 1) Landmark ID Sign, 3-sided
- Fabricated aluminum tube inner framing with returns covered with aluminum.
- (3) "Barrington Town Center" letter panels are flat cut 1/2" aluminum.
- (3) Divider panels are 1/8" aluminum.
- (3) Top header panels are 1/8" aluminum with UV textured powder coat finish, embedded graphics.
- (3) Grey granite veneer inset into bottom of frame.
- Bottom skirt is .080 aluminum. (removable for mounting)
- Steel 6" square post with 19" x 22" steel mounting plate.
- Concrete footing with anchorbolt cage. (see footing detail drawing)
- Breakaway couplings connect sign to footing. (see footing detail drawing)

Colors:

- Sign Body - painted Black
- "Barrington Town Center" - painted Black
- Divider Panel - painted White
- Top Header Panel - Alto UV textured powder coat finish with embedded graphics. (Blue PMS Process Blue C, Light Blue PMS 2915 C)
- Clear Coat Entire Sign - SW 2k waterbased urethane anti graffiti coating satin series with satin hardener. (TBD)
- Granite Veneer - Grey Granite

Installation:
By Viewpoint.

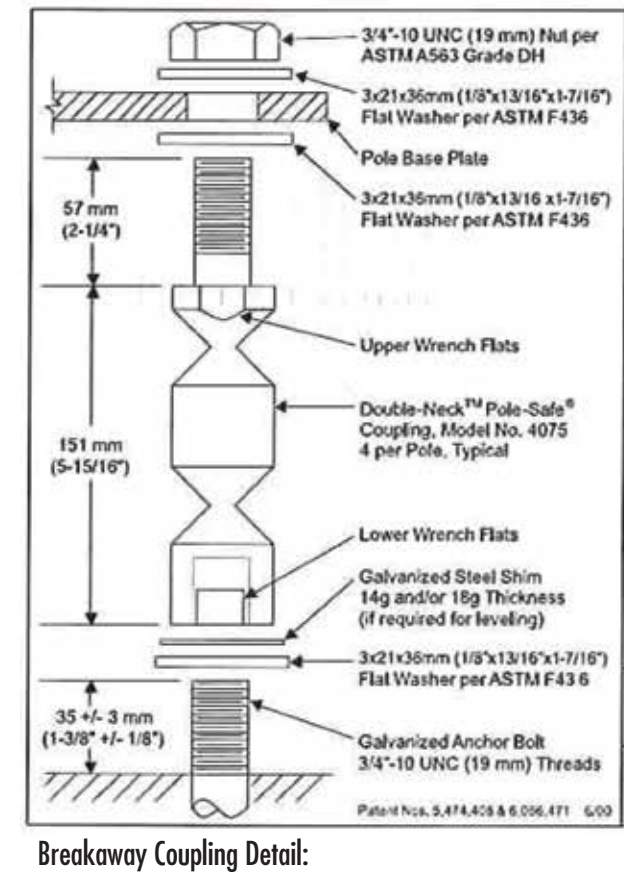
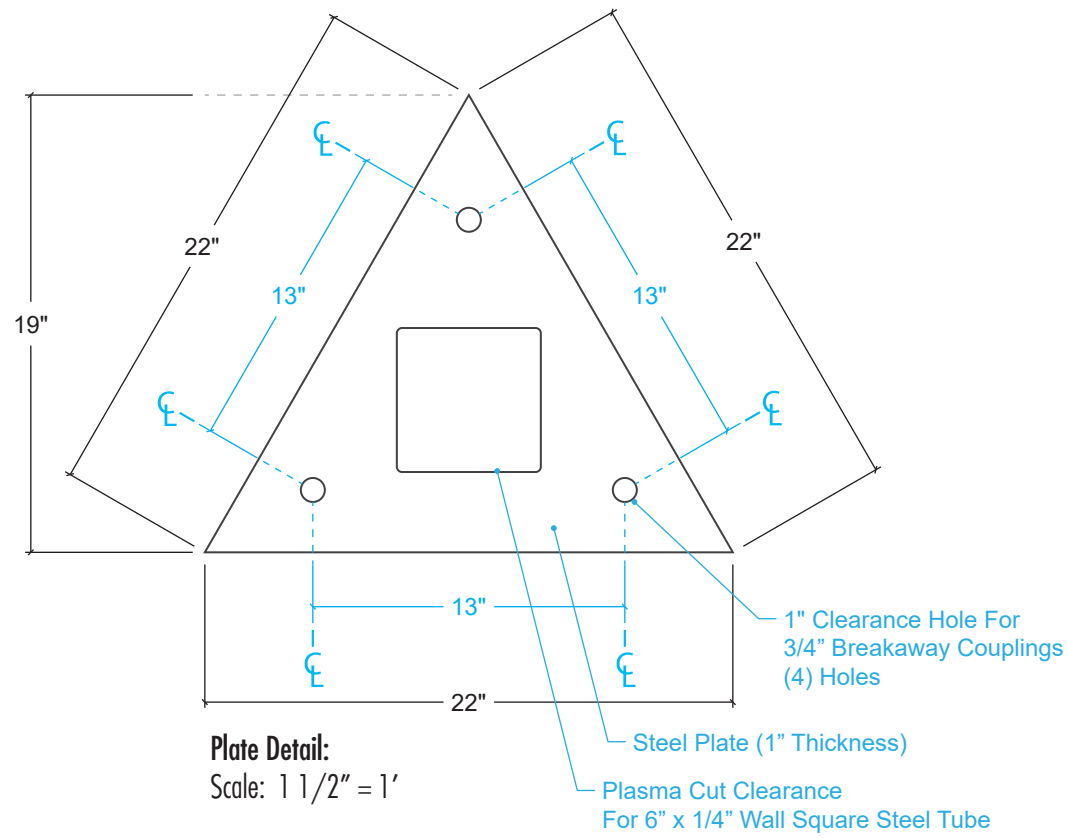
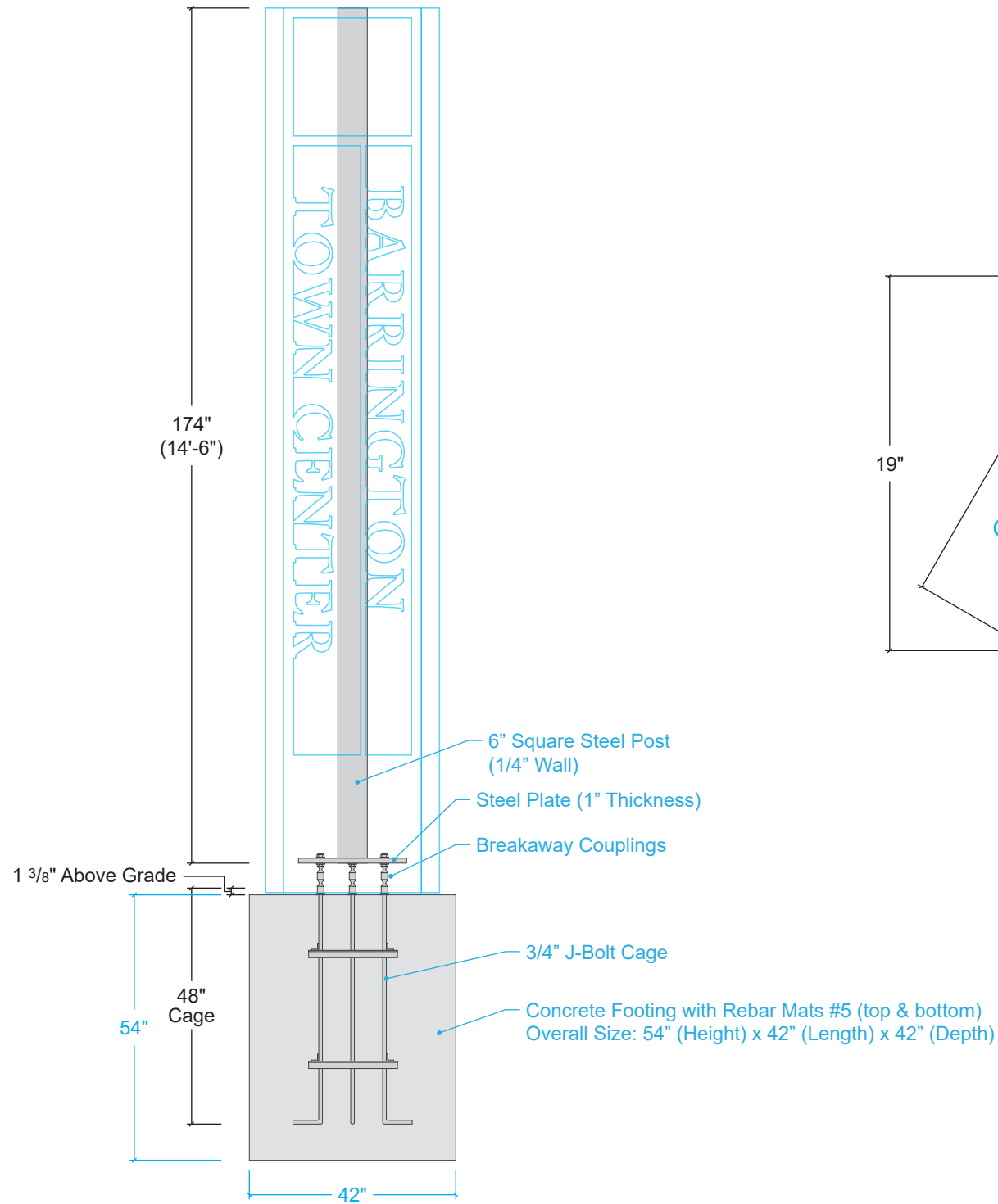
Artwork:
Supplied by Customer

Job: Town Of Barrington, RI	Account Manager: Scott Spaulding	Date: 02.26.21 2.0	Revisions: 08.23.22 .25	Revisions:
Location: Barrington, RI	File: TownOfBar_BarRI_A1.2-LandmarkSign_1b.ai	Designer: Mathew Hoard		

THIS PROPOSAL DRAWING CONTAINS ORIGINAL ELEMENTS CREATED BY VIEWPOINT SIGN AND AWNING. ALL RIGHTS RESERVED. UNAUTHORIZED DUPLICATION OR REPRODUCTION IS PROHIBITED.

ViewPoint 1.508.393.8200
 SIGN AND AWNING FAX 1.508.393.4244

Customer Approval	Acct. Manager Approval	Production Approval
		TBD



FD Footing Detail: #11764.1 (Qty 1) Landmark Sign
Scale: 3/8" = 1'

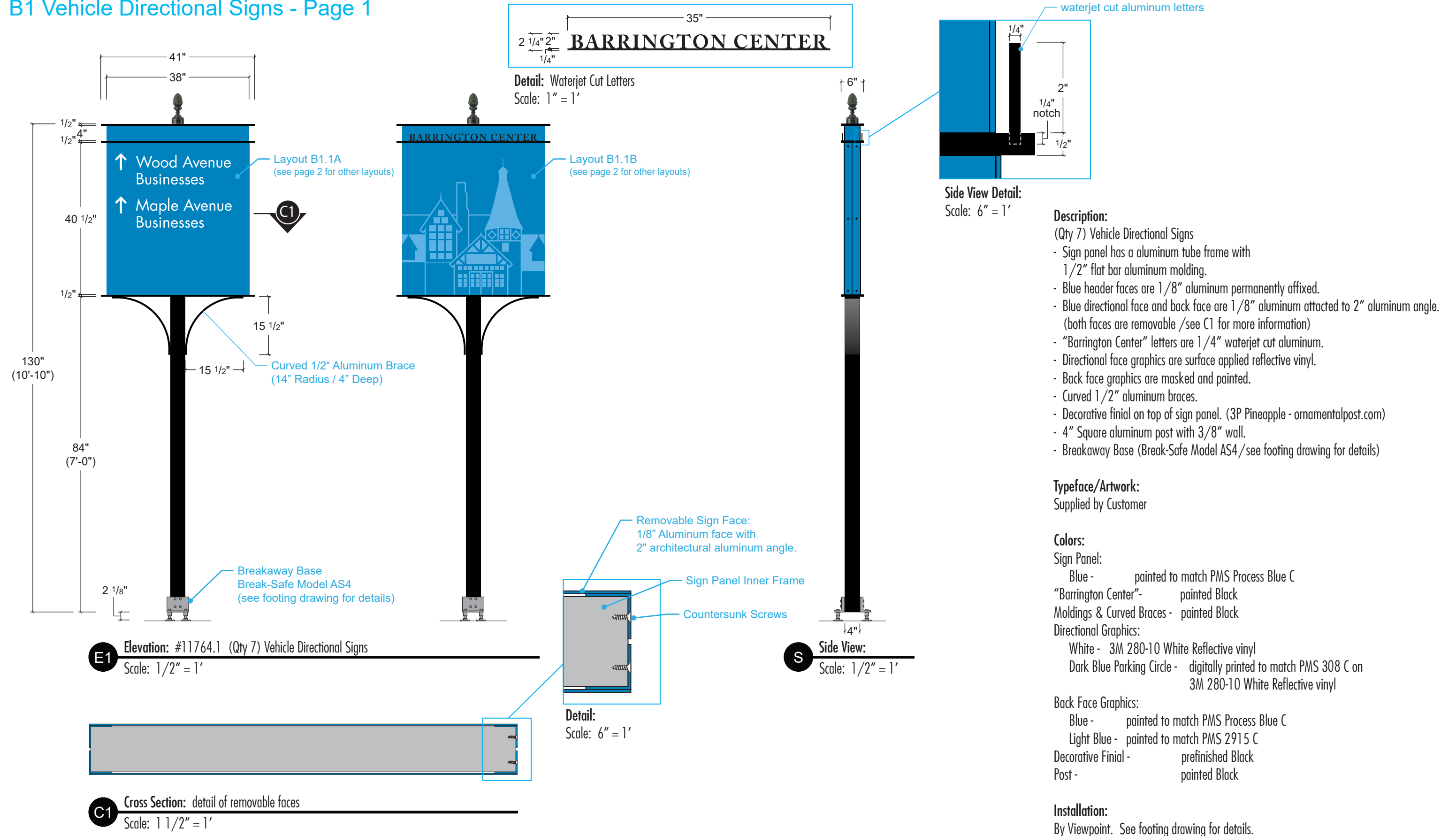
Job: Town Of Barrington, RI	Account Manager: Scott Spaulding	Date: 02.26.21 1.0	Revisions: 03.05.21 .25	Revisions: 08.23.22 .25
Location: Barrington, RI	File: TownOfBar_BarRI_A1.2-LandmarkSign_Footing_1.cai	Designer: Mathew Hoard		

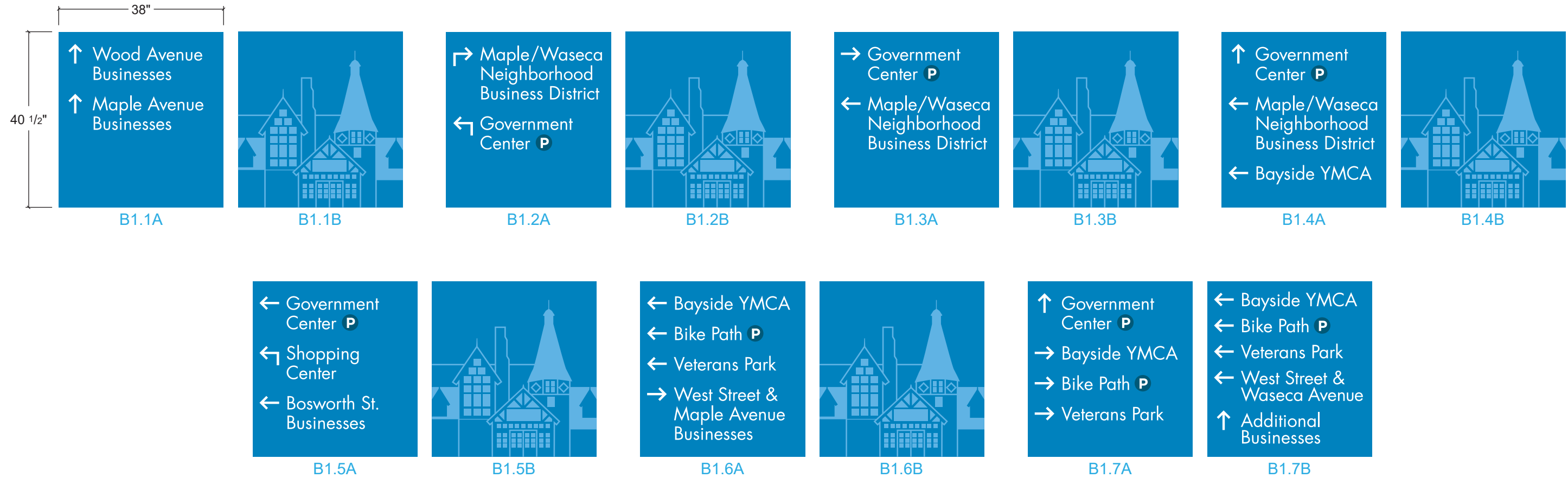
THIS PROPOSAL DRAWING CONTAINS ORIGINAL ELEMENTS
CREATED BY VIEWPOINT SIGN AND AWNING. ALL RIGHTS RESERVED.
UNAUTHORIZED DUPLICATION OR REPRODUCTION IS PROHIBITED.

ViewPoint SIGN AND AWNING 1.508.393.8200
FAX 1.508.393.4244

Customer Approval	Acct. Manager Approval	Production Approval
-------------------	------------------------	---------------------

B1 Vehicle Directional Signs - Page 1



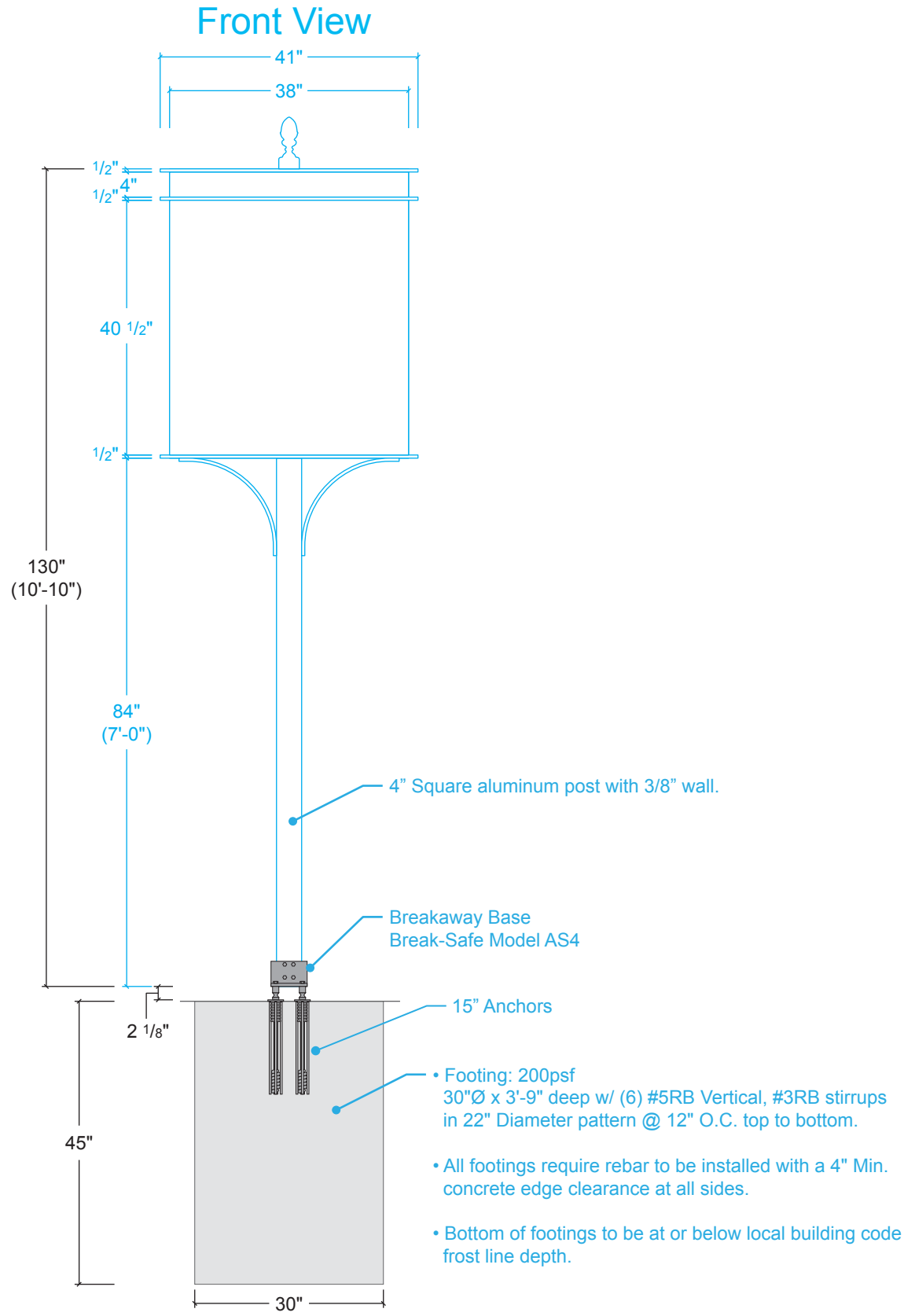


Job: Town Of Barrington, RI
 Account Manager: Scott Spaulding
 Location: Barrington, RI
 Date: 08.24.22 1.5
 Designer: Mathew Hoard
 Revisions: 09.14.22 1.5

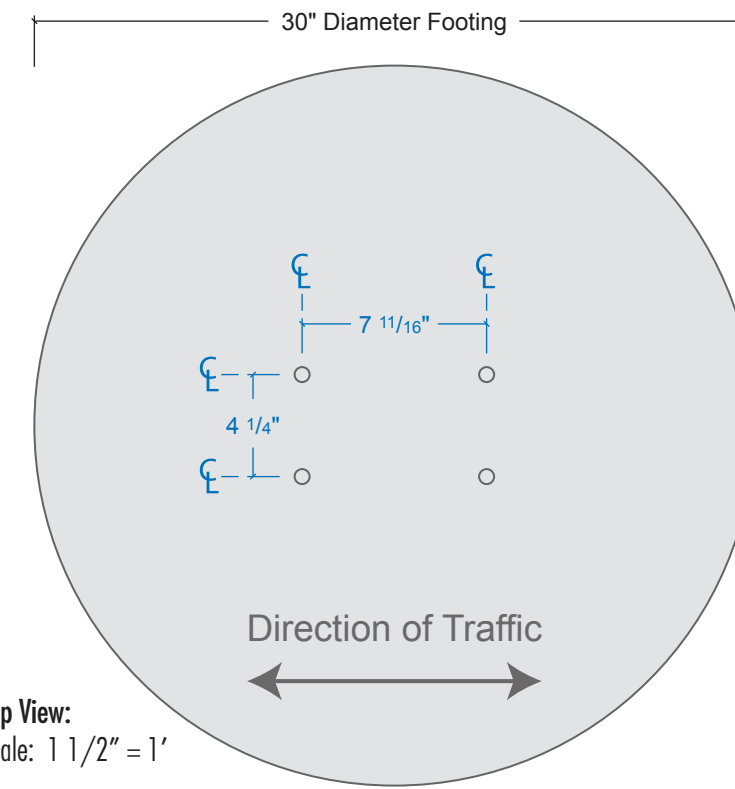
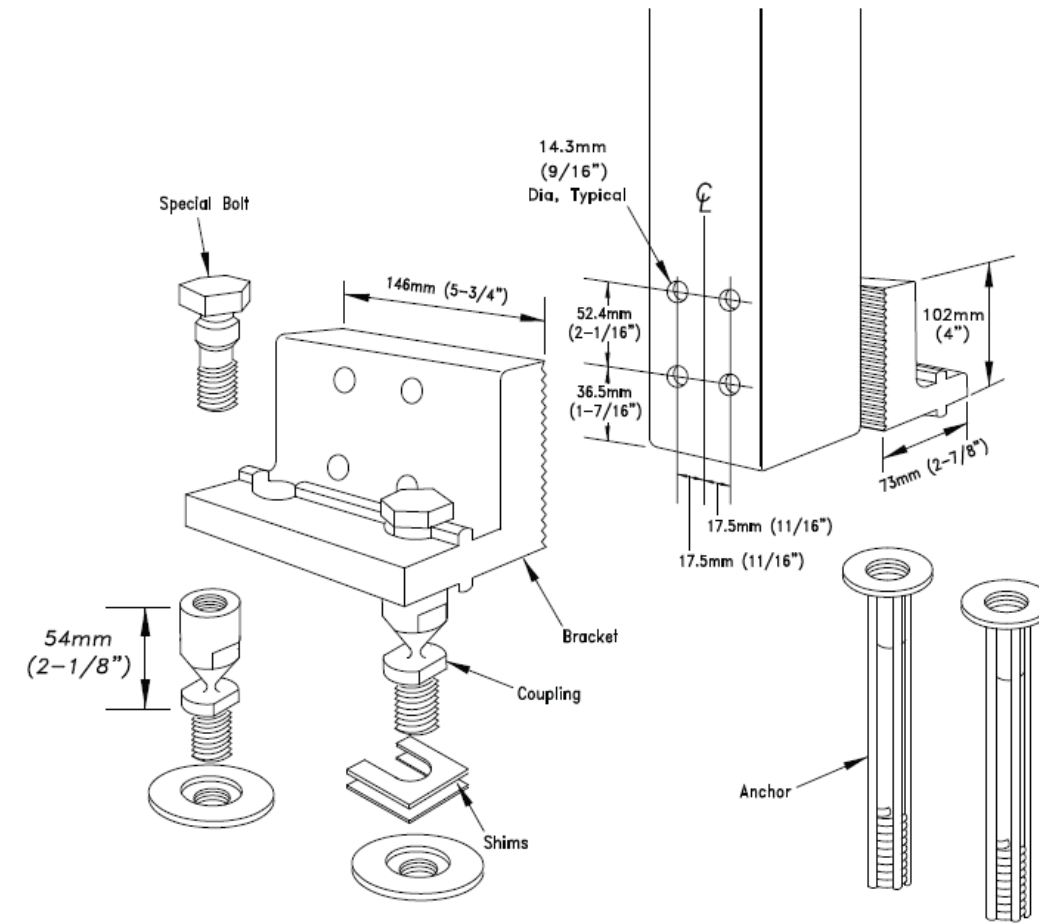
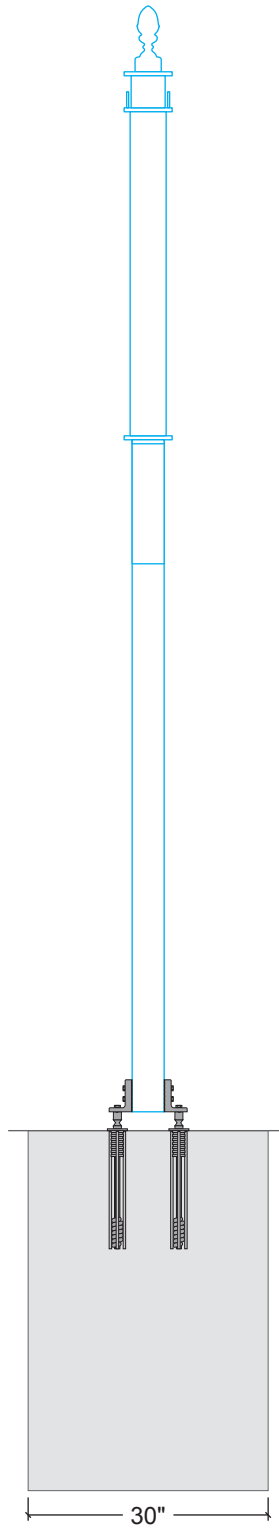
THIS PROPOSAL DRAWING CONTAINS ORIGINAL ELEMENTS
 CREATED BY VIEWPOINT SIGN AND AWNING. ALL RIGHTS RESERVED.
 UNAUTHORIZED DUPLICATION OR REPRODUCTION IS PROHIBITED.

ViewPoint SIGN AND AWNING
 1.508.393.8200
 FAX 1.508.393.4244

Customer Approval
 Acct. Manager Approval
 Production Approval



Side View



Top View:
Scale: 1 1/2" = 1'

FD Footing Detail: #11764.1 (Qty 7) Vehicle Directional Signs
Scale: 1/2" = 1'

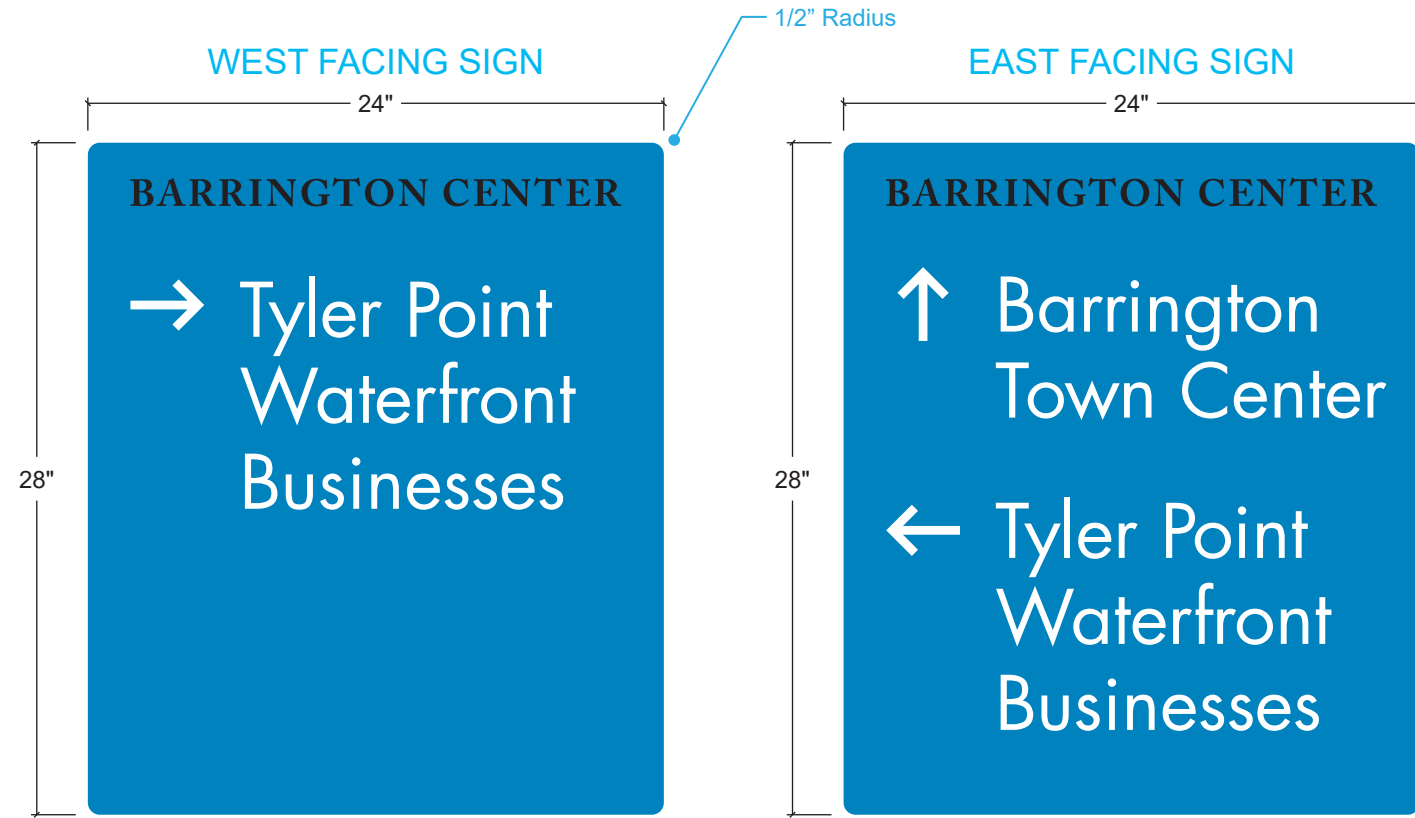
Job: Town Of Barrington, RI	Account Manager: Scott Spaulding	Date: 02.26.21 1.0	Revisions:	Revisions:
Location: Barrington, RI	File: TownOfBar_BarRI_B1-VehDirSign_Footing.ai	Designer: Mathew Hoard		

THIS PROPOSAL DRAWING CONTAINS ORIGINAL ELEMENTS
CREATED BY VIEWPOINT SIGN AND AWNING. ALL RIGHTS RESERVED.
UNAUTHORIZED DUPLICATION OR REPRODUCTION IS PROHIBITED.

ViewPoint SIGN AND AWNING
1.508.393.8200
FAX 1.508.393.4244

Customer Approval	Acct. Manager Approval	Production Approval
-------------------	------------------------	---------------------

B3 Vehicle Directional Signs



E1 Elevation: #11764.1 (Qty 2) Vehicle Directional Signs
Scale: 1 1/2" = 1'

Description:

- (Qty 2) Vehicle Directional Signs
- Sign panels are 1/8" Aluminum with radius corners.
 - Graphics are surface applied White reflective vinyl.
 - Sign panels are mounted back to back, sandwiching existing post.
- (Mounting Method - TBD)

Typeface/Artwork:

Supplied by Cutomer

Colors:

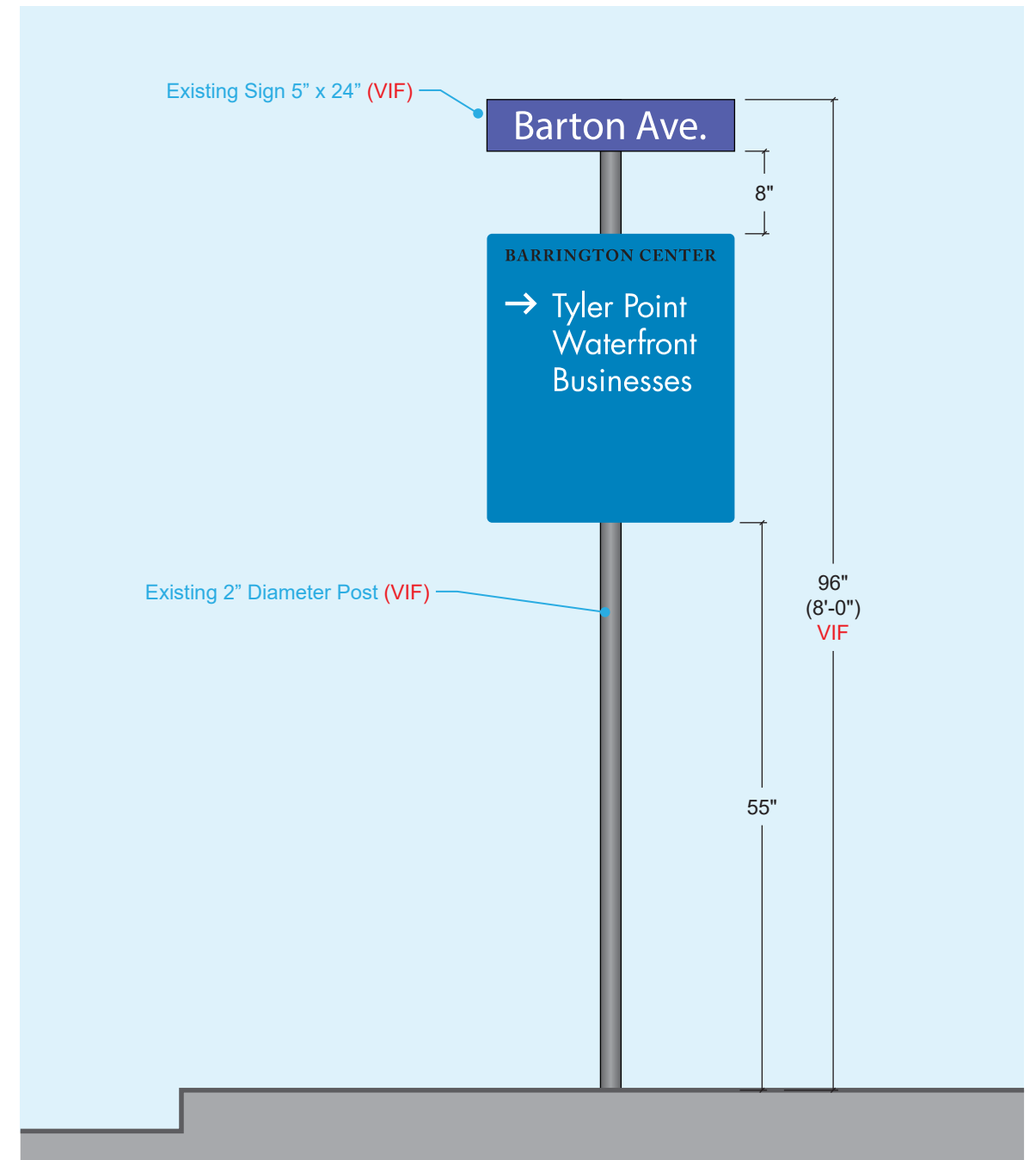
Sign Panel - painted to match Blue PMS Process Blue C

Directional Graphics:

- White - 3M 280-10 White Reflective vinyl
- Black - Oracal 751-070 Black opaque vinyl

Installation:

By Viewpoint.



Proposed: Qty X
Scale: 3/4" = 1'

Job:
Town Of Barrington, RI
Location:
Barrington, RI

Account Manager:
Scott Spaulding
File:
TownOfBar_BarRI_B3-VehDirSign_1b.ai

Date:
02.26.21 1.0
Designer:
Mathew Hoard

Revisions:
08.23.22 .25

Revisions:

THIS PROPOSAL DRAWING CONTAINS ORIGINAL ELEMENTS
CREATED BY VIEWPOINT SIGN AND AWNING. ALL RIGHTS RESERVED.
UNAUTHORIZED DUPLICATION OR REPRODUCTION IS PROHIBITED.

ViewPoint SIGN AND AWNING
1.508.393.8200
FAX 1.508.393.4244

Customer Approval

Acct. Manager Approval

Production Approval

TBD/VIF